

11756

BMW 335i

6/26/2009

GROSS LOAD CAPACITY WHEN USED AS A WEIGHT CARRYING HITCH: 2,000 LBS. TRAILER WEIGHT & 200 LBS. TONGUE WEIGHT.

DO NOT EXCEED VEHICLE MANUFACTURER'S RECOMMENDED TOWING CAPACITY.

WARNING: ALL NON-TRAILER LOADS APPLIED TO THIS PRODUCT MUST BE SUPPORTED BY AUXILIARY STABILIZING STRAPS.

** FAILURE TO PROPERLY SUPPORT NON-TRAILER LOADS WILL VOID PRODUCT WARRANTY**

HAVING INSTALLATION QUESTIONS? CALL TECHNICAL SUPPORT AT 1-800-798-0813

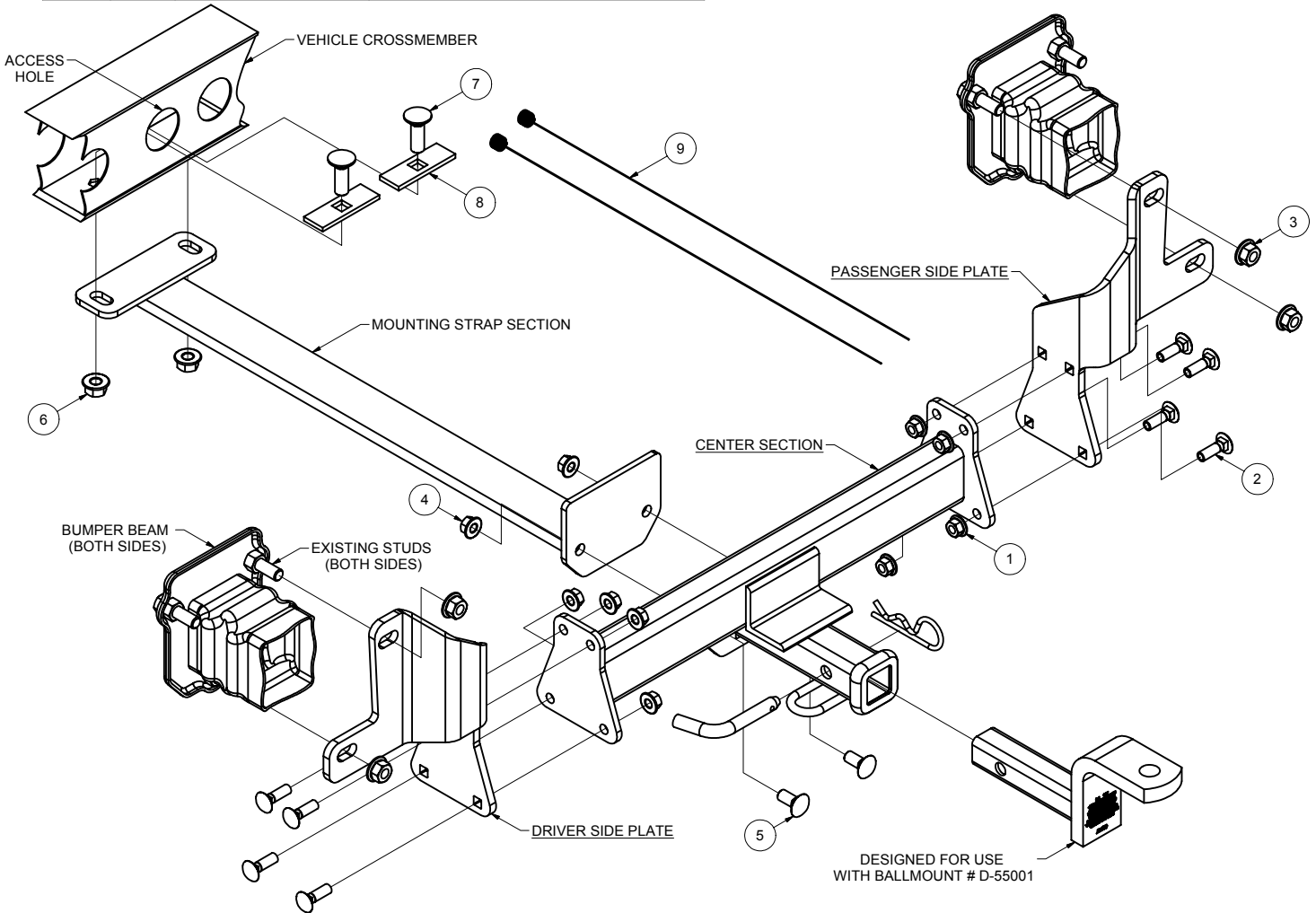
Parts List			
ITEM	QTY	PART NUMBER	DESCRIPTION
1	8	HFN3816	HEX FLANGE NUT
2	8	3/8-16 x 1 1/4 LG.	CARRIAGE BOLT
3	4	M12-1.50	HEX FLANGE NUT
4	2	7/16-14	HEX FLANGE NUT
5	2	7/16-14 x 1	CARRIAGE BOLT
6	2	HFN 1213	HEX FLANGE NUT
7	2	1/2-13 x 1 1/2	CARRIAGE BOLT
8	2	CM-SP40	.188 x 1.00 x 3.00" SQUARE HOLE SPACER
9	2	1_2 FISHWIRE	1/2" FISHWIRE

RUBBER ISOLATOR REMOVAL DIAGRAM

This technique can be used if and Exhaust Hanger Removal Pliers is not available.

Using a 5/8" open end wrench, slide the wrench up to the rubber isolator, cradling the hanger rod as shown. Next place the flat edge of a pry bar between the wrench and the hanger stop or hanger rod. Then simply rotate the pry bar toward the wrench to remove the rubber isolator.

Note: Using a spray lubricant or soapy water on the hanger rod and the rubber isolator helps removal.



HITCH WEIGHT: .38 LBS.
INSTALL TIME
 PROFESSIONAL: 30 MINUTES
 NOVICE (DIY): 60 MINUTES
INSTALL NOTES:
 - NO DRILLING REQUIRED
 - LOWER EXHAUST
 - FISHWIRE HARDWARE



PERIODICALLY CHECK THIS RECEIVER HITCH TO ENSURE THAT ALL FASTENERS ARE TIGHT AND THAT ALL STRUCTURAL COMPONENTS ARE SOUND.

Curt Manufacturing Inc., warrants this product to be free of defects in material and/or workmanship at the time of retail purchase by the original purchaser. If the product is found to be defective, Curt Manufacturing Inc., may repair or replace the product, at their option, when the product is returned, prepaid, with proof of purchase. Alteration to, misuse of, or improper installation of this product voids the warranty. Curt Manufacturing Inc.'s liability is limited to repair or replacement of products found to be defective, and specifically excludes liability for incidental or consequential loss or damage.

11756

BMW 335i

6/26/2009

GROSS LOAD CAPACITY WHEN USED AS A WEIGHT CARRYING HITCH: 2,000 LBS. TRAILER WEIGHT & 200 LBS. TONGUE WEIGHT.

DO NOT EXCEED VEHICLE MANUFACTURER'S RECOMMENDED TOWING CAPACITY.

WARNING: ALL NON-TRAILER LOADS APPLIED TO THIS PRODUCT MUST BE SUPPORTED BY AUXILIARY STABILIZING STRAPS.

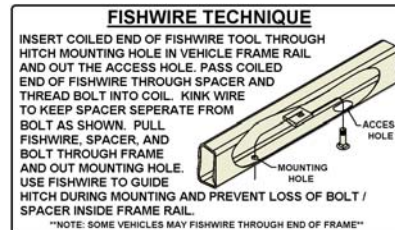
** FAILURE TO PROPERLY SUPPORT NON-TRAILER LOADS WILL VOID PRODUCT WARRANTY**

HAVING INSTALLATION QUESTIONS? CALL TECHNICAL SUPPORT AT 1-800-798-0813



INSTALLED HITCH POSITION

TOOLS REQUIRED
SOCKET WRENCH
TORQUE WRENCH
3/4 in. SOCKET
11/16 in. SOCKET
9/16 in. SOCKET
19mm SOCKET
8 in. SOCKET EXTENSION



INSTALLATION STEPS

1. Lower exhaust for ease of installation by removing six (6) rubber isolators. (See RUBBER ISOLATOR REMOVAL DIAGRAM.)
2. Raise DRIVER SIDE PLATE and PASSENGER SIDE PLATE over existing studs on vehicle bumper beam, as shown.
3. Loosely install M12-1.50 hex flange nuts to secure side plates to vehicle, as shown.
4. Raise CENTER SECTION into position between side plates.
5. Loosely install 3/8 in. carriage bolts and hex flange nuts through CENTER SECTION and side plates, as shown.
6. Fishwire 1/2 in. carriage bolts and CM-SP40 spacers through vehicle crossmember access hole and out hexagonal mouting holes in bottom of crossmember. (See FISHWIRE TECHNIQUE diagram.)
7. Raise MOUNTING STRAP SECTION into position.
8. Loosely install 7/16 in. carriage bolts and hex flange nuts through MOUNTING STRAP SECTION and CENTER SECTION, as shown.
9. Loosely install 1/2 in. hex flange nuts onto carriage bolts from Step 6 to secure MOUNTING STRAP SECTION to vehicle crossmember.
10. Torque 1/2 in. hardware to 75 lb-ft, 7/16 in. hardware to 50 lb-ft, 3/8 in hardware to 30 lb-ft, and M12-1.50 hardware to 63 lb-ft.
11. Raise exhaust back into position.

PERIODICALLY CHECK THIS RECEIVER HITCH TO ENSURE THAT ALL FASTENERS ARE TIGHT AND THAT ALL STRUCTURAL COMPONENTS ARE SOUND.

Curt Manufacturing Inc., warrants this product to be free of defects in material and/or workmanship at the time of retail purchase by the original purchaser. If the product is found to be defective, Curt Manufacturing Inc., may repair or replace the product, at their option, when the product is returned, prepaid, with proof of purchase. Alteration to, misuse of, or improper installation of this product voids the warranty. Curt Manufacturing Inc.'s liability is limited to repair or replacement of products found to be defective, and specifically excludes liability for incidental or consequential loss or damage.